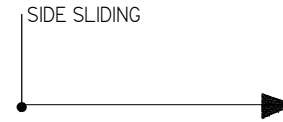
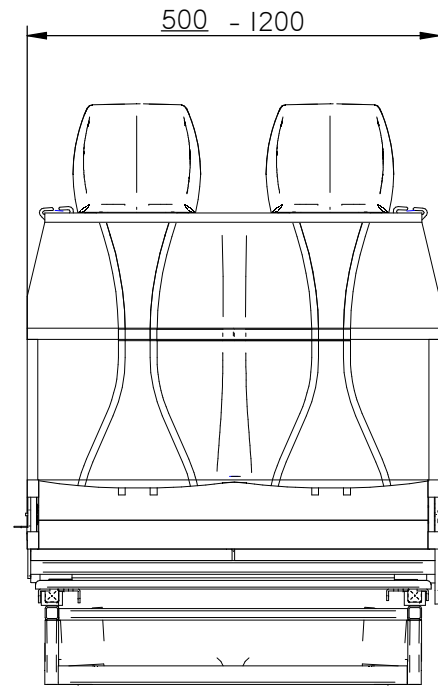
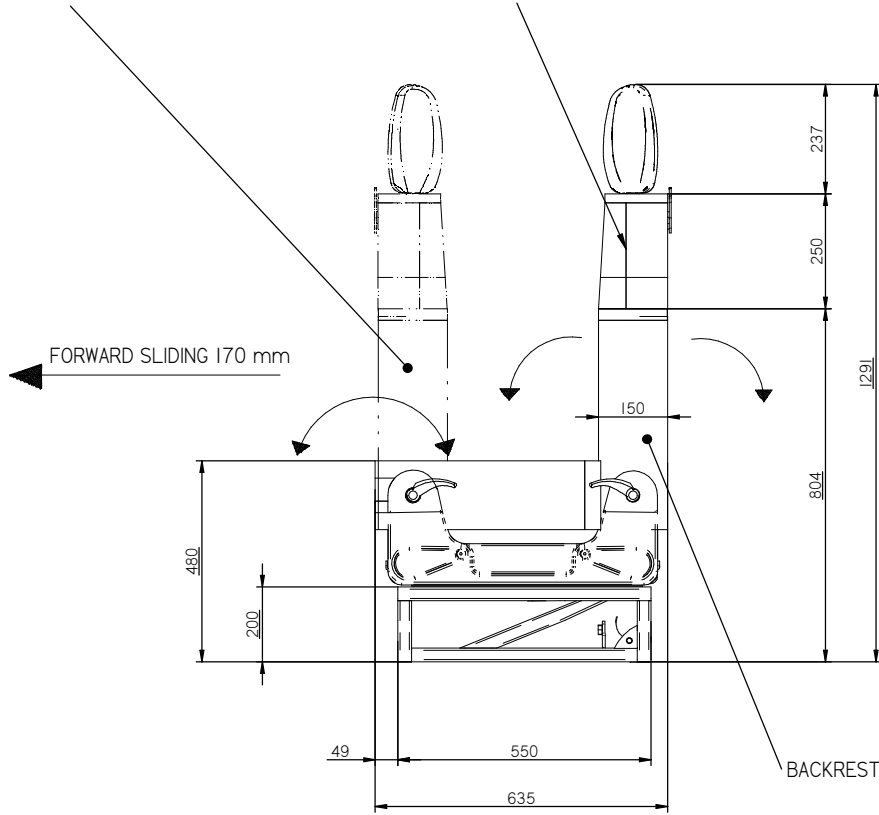


SEAT-CUSHION ADJUSTABLE + FOLDABLE

BACKREST-EXTENSION REMOVABLE

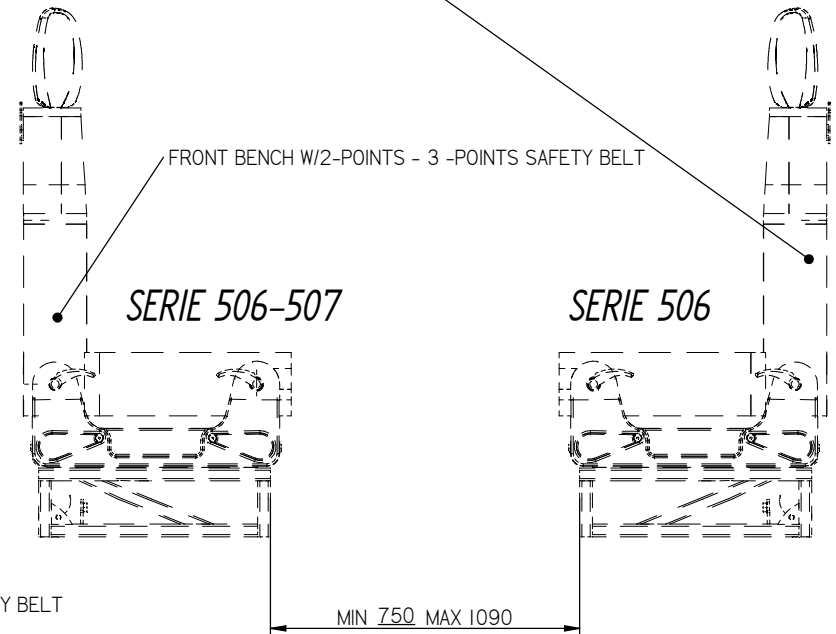
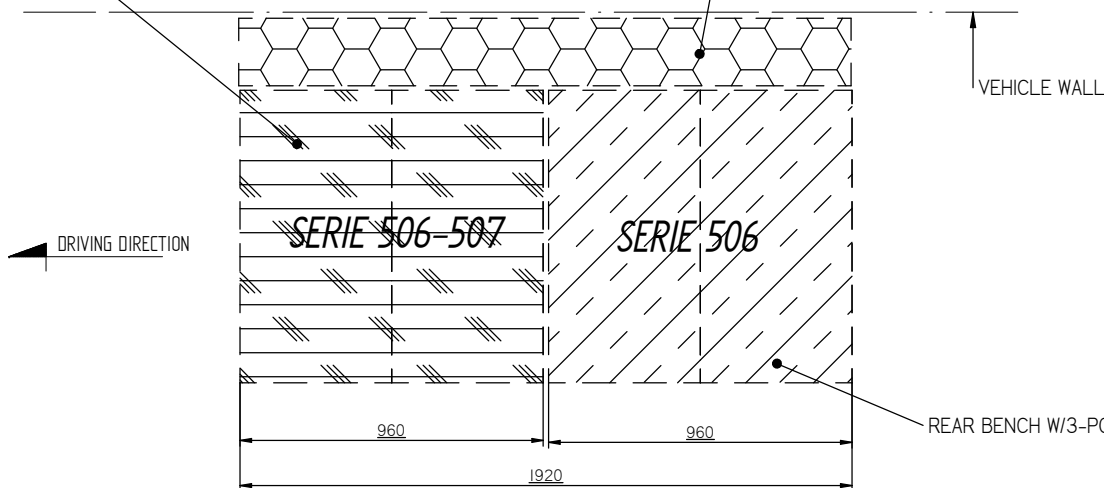
NB. THE DRAWING SHOWS THE RH-BENCH, THE LH IS SYMMETRICAL



FRONT BENCH W/2-POINTS - 3-POINTS SAFETY-BELT

SIDE-EXTENTION

REAR BENCH W/3-POINTS-SAFETY BELT



**BENCH SERIE 506**